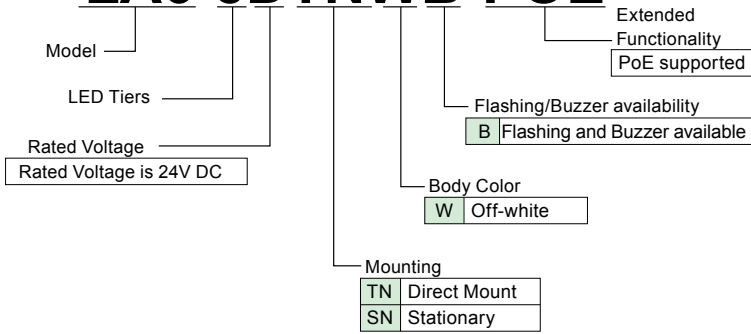
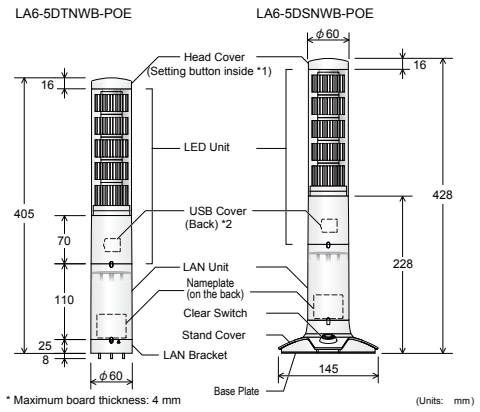


Model Code

LA6-5DTNWB-POE

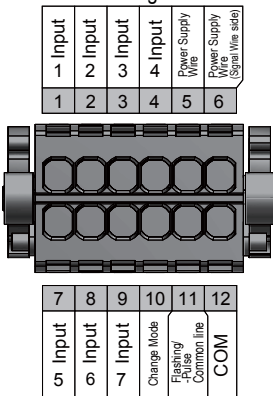


Dimensions (mm)

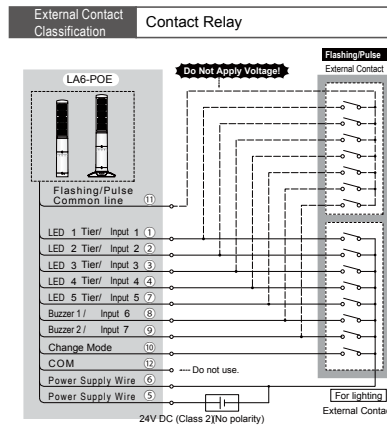


Wiring Diagram

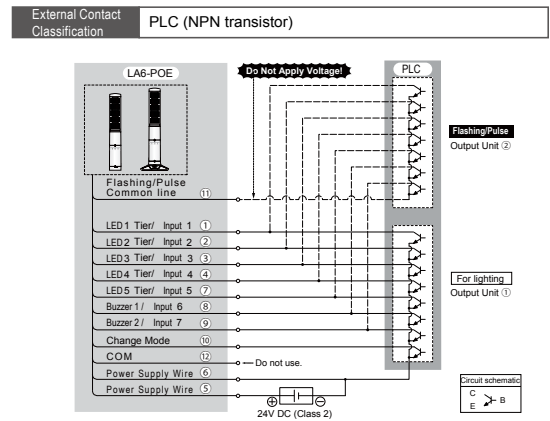
Terminal Block Connector Pin Arrangement



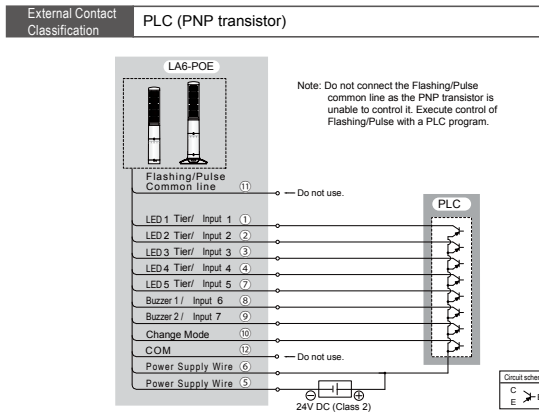
24V DC model



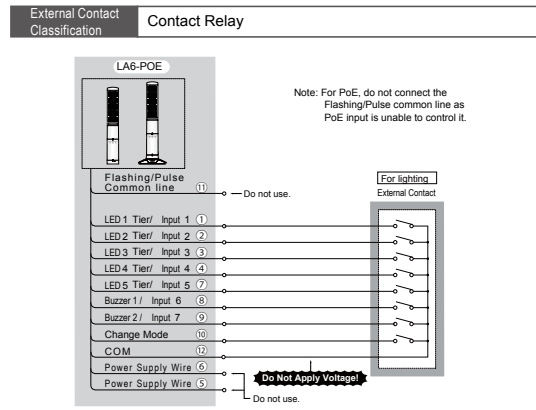
24V DC model



24V DC model



PoE Input Specifications



Optional Parts



Stationary installation bracket (magnetic installation)
Model: SZW-060W
Supported type:
LA6-5DTNWB-POE
LA6-5AWJWB-RYGBC



Wallmount Bracket (embedded wiring type)
Model: SZK-003W
Direct Mounting



Wallmount Bracket NH-WST2 Stationary Type



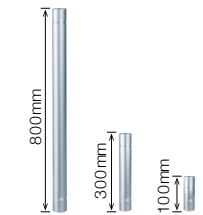
Pole Bracket SZP-004W



Circular Bracket mounting Pole SZ-016A



Circular Bracket mounting Pole SZ-010



POLE-100 / 300 / 800A21